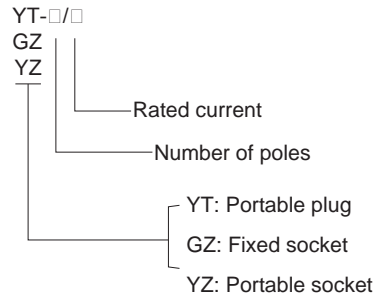




Application

•Suitable for petroleum exploration, drilling systems, and other electrical connections in hazardous areas

Model Description



Main Technical Parameters

Marking	Ex nA II C T4 Gc	Contact Resistance	≤ 0.5 mΩ	Ambient Temperature	-20°C ~ +60°C
Rated Voltage	280V	Dielectric Strength	≤65K	Protection Rating	IP65
Number of Poles	3P / 4P / 5P	Pull-out Force	≥15N	Mechanical Life	≥ 500 cycles
Rated Voltage Options	250V / 400V / 500V	Insulation Resistance	≥ 100 MΩ		
Rated Current	15A / 25A / 60A / 100A / 150A / 200A / 300A				

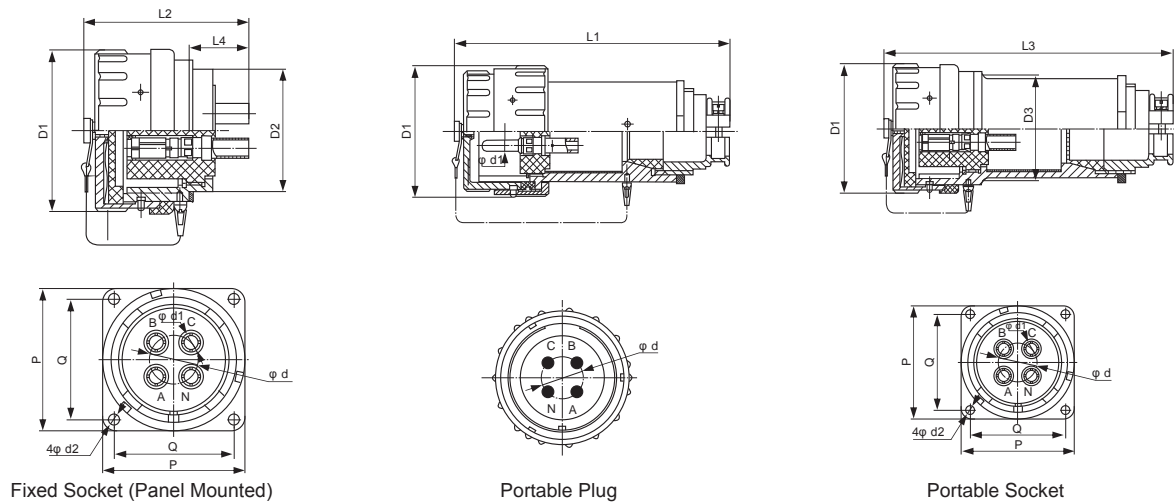
Product Selection – Explosion-Proof Electrical Connectors (YT / GZ / YZ Series)

Model	Rated Current / Voltage	Poles	Description	Model	Rated Current / Voltage	Poles	Description
YT-GZ-3/15	15A/250V	1P+N+PE	Fixed single-phase 3-pin socket	YT-YZ-3/15	15A/250V	1P+N+PE	Portable single-phase 3-pin socket
YT-GZ-4/15	15A/400V/500V	3P+N	Fixed three-phase 4-pin socket	YT-YZ-4/15	15A/400V/500V	3P+N	Portable three-phase 4-pin socket
YT-GZ-5/15	15A/400V/500V	3P+N+PE	Fixed three-phase 5-pin socket	YT-YZ-5/15	15A/400V/500V	3P+N+PE	Portable three-phase 5-pin socket
YT-GZ-3/25	25A/250V	1P+N+PE	Fixed single-phase 3-pin socket	YT-YZ-3/25	25A/250V	1P+N+PE	Portable single-phase 3-pin socket
YT-GZ-4/25	25A/400V/500V	3P+N	Fixed three-phase 4-pin socket	YT-YZ-4/25	25A/400V/500V	3P+N	Portable three-phase 4-pin socket
YT-GZ-5/25	25A/400V/500V	3P+N+PE	Fixed three-phase 5-pin socket	YT-YZ-5/25	25A/400V/500V	3P+N+PE	Portable three-phase 5-pin socket
YT-GZ-3/60	60A/250V	1P+N+PE	Fixed single-phase 3-pin socket	YT-YZ-3/60	60A/250V	1P+N+PE	Portable single-phase 3-pin socket
YT-GZ-4/60	60A/400V/500V	3P+N	Fixed three-phase 4-pin socket	YT-YZ-4/60	60A/400V/500V	3P+N	Portable three-phase 4-pin socket
YT-GZ-5/60	60A/400V/500V	3P+N+PE	Fixed three-phase 5-pin socket	YT-YZ-5/60	60A/400V/500V	3P+N+PE	Portable three-phase 5-pin socket
YT-GZ-4/100	100A/400V/500V	3P+N	Fixed three-phase 4-pin socket	YT-YZ-4/100	100A/400V/500V	3P+N	Portable three-phase 4-pin socket
YT-GZ-5/100	100A/400V/500V	3P+N+PE	Fixed three-phase 5-pin socket	YT-YZ-5/100	100A/400V/500V	3P+N+PE	Portable three-phase 5-pin socket
YT-GZ-4/150	150A/400V/500V	3P+N	Fixed three-phase 4-pin socket	YT-YZ-4/150	150A/400V/500V	3P+N	Portable three-phase 4-pin socket
YT-GZ-5/150	150A/400V/500V	3P+N+PE	Fixed three-phase 5-pin socket	YT-YZ-5/150	150A/400V/500V	3P+N+PE	Portable three-phase 5-pin socket
YT-GZ-4/200	200A / 400V / 500V	3P+N	Fixed three-phase 4-pin socket	YT-YZ-4/200	200A/400V/500V	3P+N	Portable three-phase 4-pin socket
YT-GZ-5/200	200A / 400V / 500V	3P+N+PE	Fixed three-phase 5-pin socket	YT-YZ-5/200	200A/400V/500V	3P+N+PE	Portable three-phase 5-pin socket

Notes:

- This connector consists of plug and socket assemblies
- Plug type:** Portable (YT)
- Socket types:** Panel-mounted (GZ)/Portable (YZ)
- Connection method:**
 - 1.Plug-in quick connection
 - 2.Contacts are connected by crimping
 - 3.Contacts are fixed with elastic retaining rings
 - 4.Modular structure for easy assembly and maintenance

Dimensions & Mounting

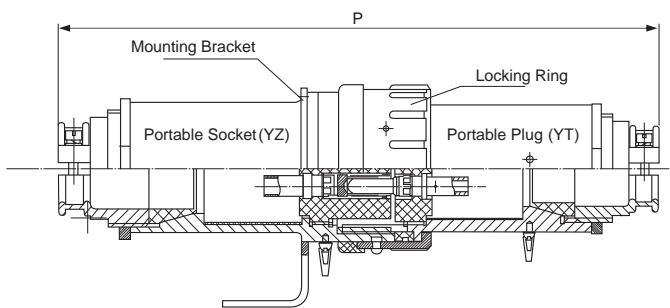


Fixed Socket (Panel Mounted)

Portable Plug

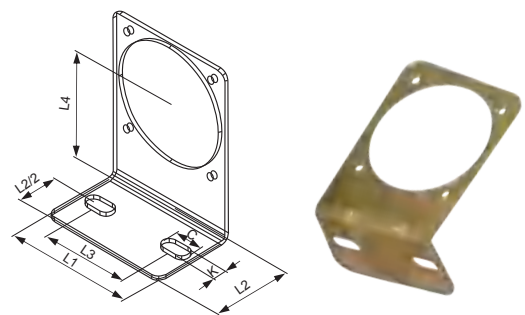
Portable Socket

	L1≈	L2≈	L3≈	L4≈	D1	D2	D3	φ d	φ d1	φ d2	P	Q
15A	130	55	132	8	φ 49	φ 33	φ 35	13	3	4.5	42.5	34
25A	144	64	142	18	φ 61	φ 42	φ 51	15.6	3.5	4.5	51	42
60A	153	72	145	22	φ 64	φ 48	φ 51	18	5.5	4.5	56	47.5
100A	166	85	173	30	φ 79	φ 61	φ 65	24	7	5.5	70	60
150A	177	92	188	32	φ 84	φ 65	φ 70	27	8.5	5.5	75	64
200A	195	100	199	32	φ 90	φ 71	φ 73.5	30	10	5.5	80	70



Installation Diagram

Mounting Bracket Size



Ordering Information

•Please select the model according to the required rated current and number of poles

Example:

- For a 15A, 3-core explosion-proof fixed socket, the model is:GZ-3/15
- For a complete set (plug + socket), 25A, 4-core:YT-GZ-4/25
- Special requirements can be customized upon request

	L1	L2	L3	L4	K × C	P≈
15A	50	40	30	45	7 × 13	210
25A	60	45	38	50	7 × 13	230
60A	60	45	40	55	7 × 13	235
100A	80	50	54	65	13 × 18	270
150A	85	50	54	70	13 × 18	305
200A	90	60	54	75	13 × 18	325