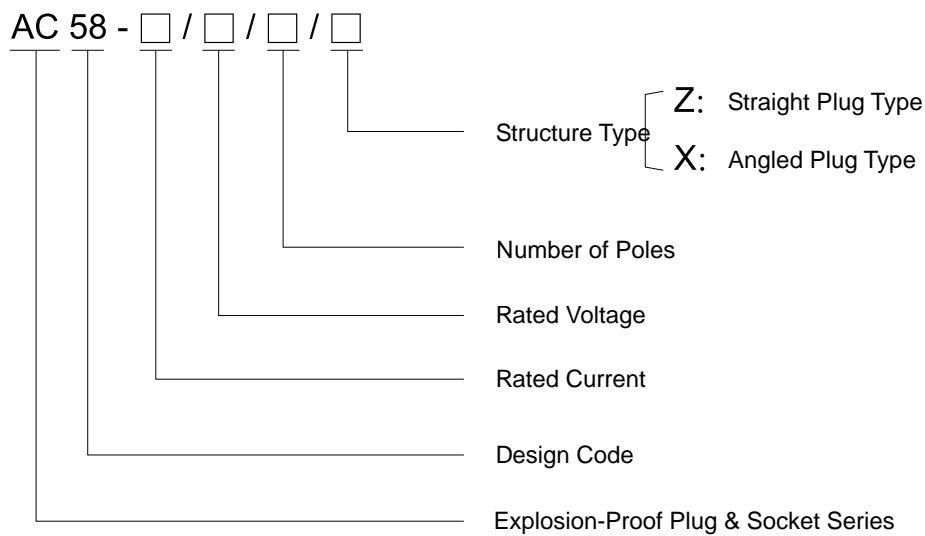


### Application

- Suitable for hazardous locations in the oil & gas, petrochemical, chemical, pharmaceutical, military, offshore platform, and marine industries
- Suitable for Zone 1 and Zone 2 hazardous gas atmospheres
- Suitable for Gas Groups IIA and IIB
- Suitable for Temperature Classes T1–T6



### Model Description



### Product Features

- Enclosure made of ZL102 die-cast aluminum alloy with electrostatic powder-coated surface
- Mechanical interlock design between plug and socket ensures the plug can only be inserted or removed when the switch is in the OFF position
- Suitable for both steel conduit and cable wiring

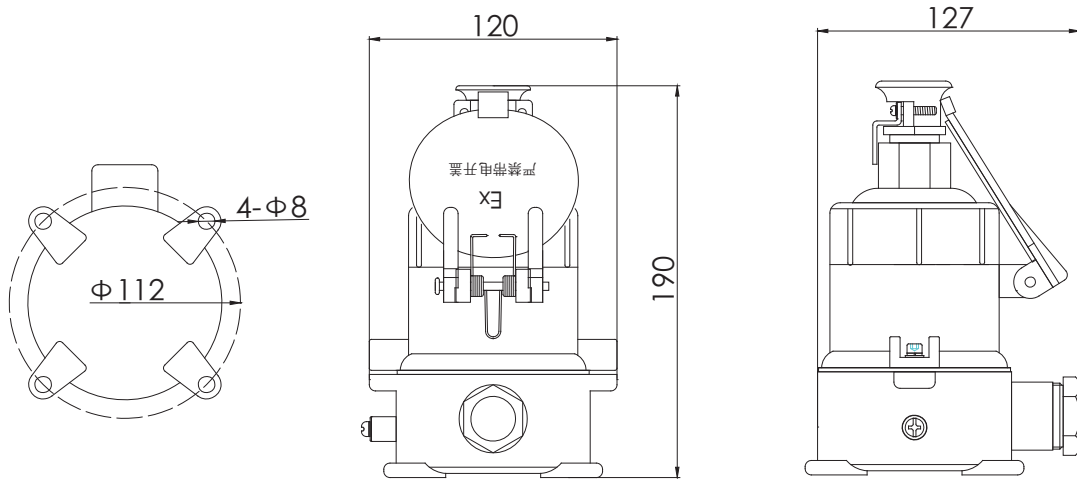
### Standard Models

Model	Rated Voltage (V)	Rated Current (A)	Poles
AC58-16/□Z	AC220V	16	1P+N+PE
	AV380V	16	3P+N
AC58-16/□X	AC220V	16	1P+N+PE
	AV380V	16	3P+N
AC58-32/□Z	AC220V	32	1P+N+PE
	AV380V	32	3P+N
AC58-32/□X	AC220V	32	1P+N+PE
	AV380V	32	3P+N

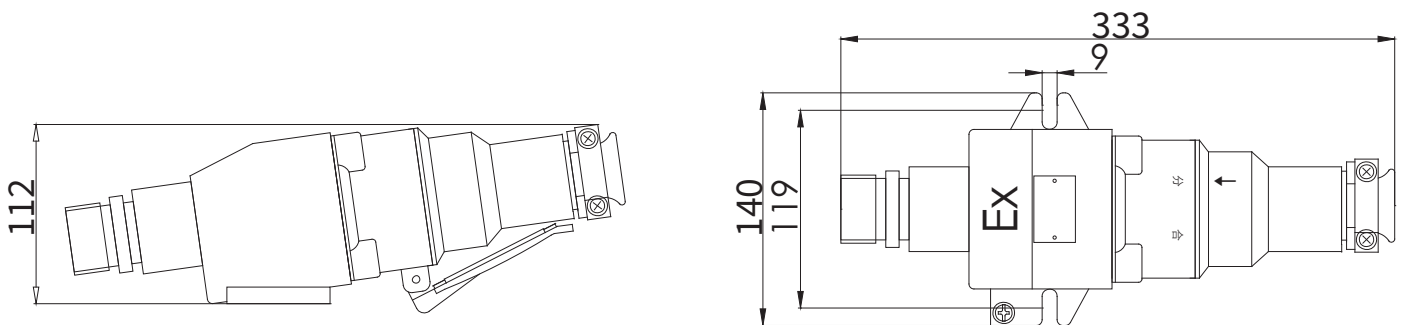
## Main Technical Parameters

	AC58-16	AC58-32
Applicable Standards	GB 3836.1 / 2, IEC 60079-0 / 1, EN 60079-0 / 1	GB 3836.1 / 2, IEC 60079-0 / 1, EN 60079-0 / 1
Explosion Marking	Ex d IIB T6 Gb	Ex d IIC T6 Gb
Rated Current	16A	32A
Wiring Type	1P+N+PE / 3P+N	1P+N+PE / 3P+N
Operating Category	AC-1 / AC-3	AC-1 / AC-3
Protection Degree	IP54	IP55
Cable Entry Thread	G1" / G3/4"	G1 1/4"
Cable Diameter	Φ8mm~Φ14mm	Φ15mm~Φ24mm

## Outline & Mounting



AC58-16Z



AC58-32X