

Application

- Designed for use in hazardous areas including oil & gas production, refineries, chemical plants, pharmaceutical facilities, offshore platforms, and marine applications
- Suitable for hazardous gas atmospheres in Zone 1 and Zone 2
- Suitable for explosive gas groups IIA, IIB, and IIC
- Suitable for combustible dust environments in Zone 21 and Zone 22
- Suitable for temperature classes T1–T6



Model Description

LBQC 53 - □ / □ / □ / □ / □ □

WF1: Remote Control Function (optional)

T: Remote Control Function (optional)

N: With Main Isolating Switch (optional)

K: With Main Isolating Switch (optional)

Total Current Rating

Rated Current

Design Code

Explosion-Proof Magnetic Starter

Product Features

- Die-cast ZL102 aluminum alloy enclosure with electrostatic powder-coated surface
- Equipped with AC contactor, thermal overload relay, self-reset selector switch, push buttons, and indicator lamps
- Suitable for direct starting and stopping of 380V, 50Hz three-phase asynchronous motors
- Provides overload and phase-failure protection
- Reversing operation available as an option
- Suitable for both conduit wiring and cable wiring
- Rated current up to 63A

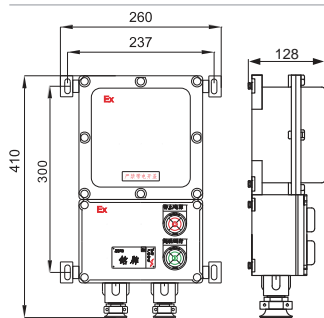
Main Technical Parameters LBQC53-□/□ (II B)

Rated Voltage	380VAC, 50/60Hz	Explosion Protection	Ex d e IIB T4 Gb
Rated Current	12A, 25A, 38A, 65A, 95A	Degree of Protection	IP65
Enclosure Material	Die-cast Aluminum Alloy	Cable Entry Exit Direction	Bottom Entry / Bottom Exit
Mounting Type	Wall Mounted		
Internal Components	AC Contactor, Thermal Overload Relay, Terminal Blocks, Push Buttons		
Standards	GB 3836 Series		

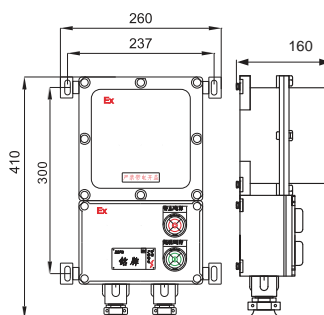
Standard Models

Model	Max. Motor Power (kW)	Contactor Rated Current (A)	Thermal Relay Setting Range (A)	Thread Size	Cable Diameter (mm)
LBQC53-10/□	4	12	6.8~11	G3/4	Ø10-Ø14
LBQC53-20/□	7.5	25	14~22	G3/4	Ø10-Ø14
LBQC53-40/□	11	38	28~45	G1	Ø12-Ø18
LBQC53-60/□	18.5	65	45~63	G1 1/4	Ø18-Ø26
LBQC53-100/□	30	95	75~120	G1 1/2	Ø22-Ø32

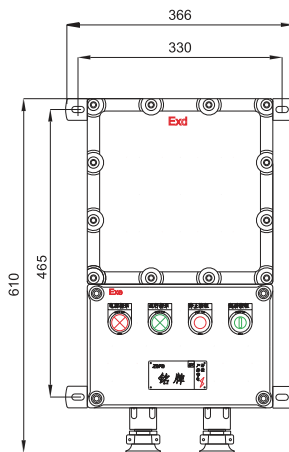
Dimensions & Mounting



LBQC53-10/20/40 (II B)

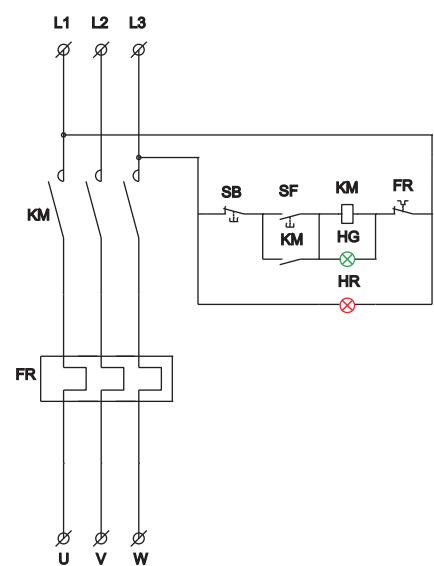


LBQC53-60 (II B)



LBQC53-100 (II B)

Control Circuit Diagram



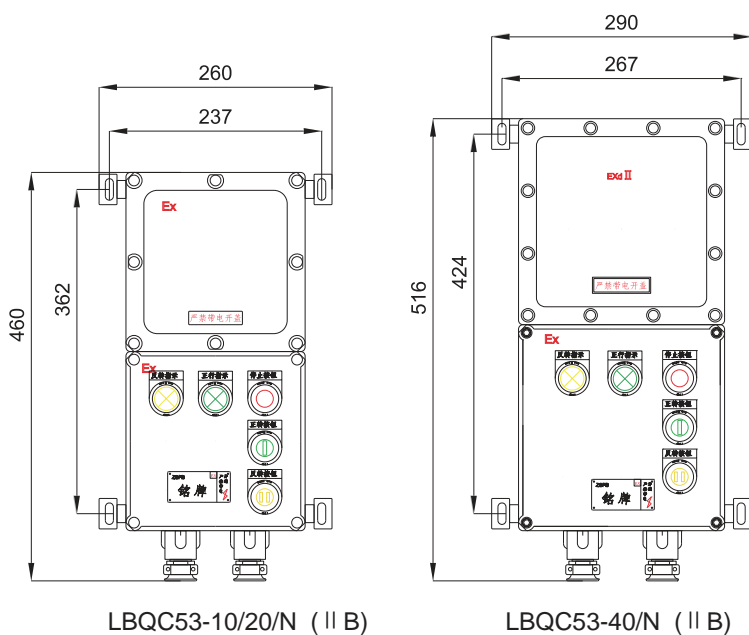
Main Technical Parameters LBQC53-□/□N (II B)

Rated Voltage	380VAC, 50/60Hz	Explosion Protection	Ex d e IIB T4 Gb
Rated Current	12A, 25A, 38A	Degree of Protection	IP65
Enclosure Material	Die-cast Aluminum Alloy	Cable Entry Exit Direction	Bottom Entry / Bottom Exit
Mounting Type	Wall Mounted		
Internal Components	AC Contactor, Thermal Overload Relay, Terminal Blocks, Push Buttons		
Standards	GB 3836 Series		

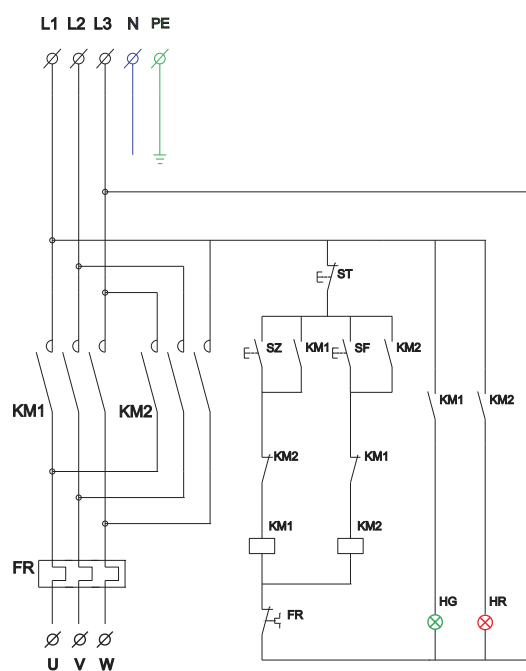
Standard Models

Model	Max. Motor Power (kW)	Contactor Rated Current (A)	Thermal Relay Setting Range (A)	Thread Size	Cable Diameter (mm)
LBQC53-10/□/N	4	12	6.8~11	G3/4	Ø10-Ø14
LBQC53-20/□/N	7.5	25	14~22	G3/4	Ø12-Ø18
LBQC53-40/□/N	11	38	28~45	G1	Ø18-Ø26

Dimensions & Mounting



Control Circuit Diagram



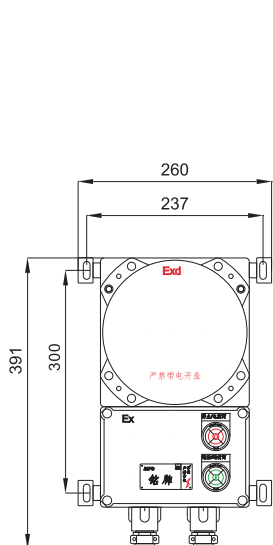
Main Technical Parameters LBQC53-□/□ (II C)

Rated Voltage	380VAC, 50/60Hz	Explosion Protection	Ex d e IIB T4 Gb
Rated Current	12A, 25A, 38A, 65A, 95A	Degree of Protection	IP65
Enclosure Material	Die-cast Aluminum Alloy	Cable Entry Exit Direction	Bottom Entry / Bottom Exit
Mounting Type	Wall Mounted		
Internal Components	AC Contactor, Thermal Overload Relay, Terminal Blocks, Push Buttons		
Standards	GB 3836 Series		

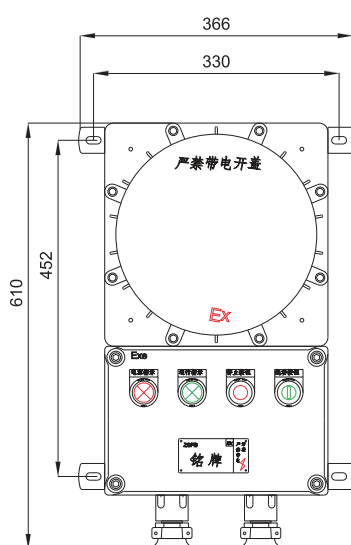
Standard Models

Model	Max. Motor Power (kW)	Contactor Rated Current (A)	Thermal Relay Setting Range (A)	Thread Size	Cable Diameter (mm)
LBQC53-10/□	4	12	6.8~11	G3/4	Ø10-Ø14
LBQC53-20/□	7.5	25	14~22	G3/4	Ø10-Ø14
LBQC53-40/□	11	38	28~45	G1	Ø12-Ø18
LBQC53-60/□	18.5	65	45~63	G1 1/4	Ø18-Ø26
LBQC53-100/□	30	95	75~120	G1 1/2	Ø22-Ø32

Dimensions & Mounting



LBQC53-10/20/40 (II C)



LBQC53-60/100 (II C)

Control Circuit Diagram

